



iDERPACK

Integrated monitoring gateway

Autonomous energised obstruction light warning with integrated GSM, LoRa or Sigfox monitoring gateway

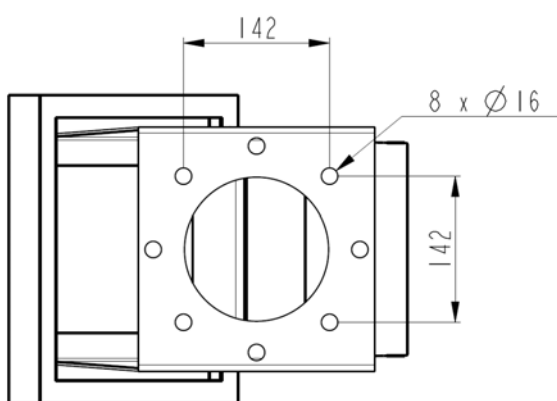
iDERPACK light is used to signal obstacles like : towers, cranes, bridges, chimneys, buildings...

iDERPACK is a low intensity A-type, red, fixed light, on at night, in accordance with I.C.A.O. (International Civil Aviation Organization), Annex 14, Volume I, 4th edition, July 2004.

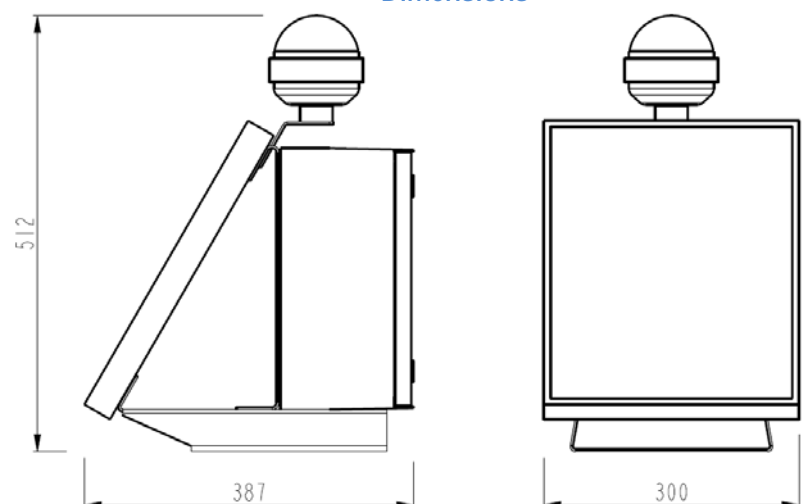


Luminous source	LED with lens
Conformity	Type A in accordance with ICAO
Temperature of use	-20 to +55°C
Voltage	12 Vdc
Light default	Local and remote
Monitoring gateway	Integrated : GSM, LoRa or Sigfox IoT ready : pre-wired to receive gateway
Photocell / day-night switch	Automatic
Charge controller	PWM type with regulated load / t°
Power source	Solar (minimum global irradiation: 2kwh/m ² /day slope 60° azimuth: -25° to +25°)
Battery life time (2 options)	- Standard (Sealed Lead-Acid) : 5 years - Long life (Lithium) : 8 years
Storage (no sun on panel)	- Standard (AGM) : 6 months (max 30°C) - Long life (Lithium) : 2 years (max 40°C)
Autonomy (no sun on panel)	7 days
Protection	IP66

Mounting



Dimensions



Reference	Intensity	Solar Panel	Battery	Gateway	H (mm)	L (mm)	d (mm)	Weight (kg)
iDERPACK 1010 AV	15cd	10Wc	Sealed Lead-Acid	Integrated	512	300	387	11
iDERPACK Life 1010 AV	15cd	10Wc	Lithium (Lifepo4)	Integrated	512	300	387	9
iDERPACK 1010 AV IoT ready	15cd	10Wc	Sealed Lead-Acid	Pre-wired	512	300	387	11
iDERPACK Life 1010 AV IoT ready	15cd	10Wc	Lithium (Lifepo4)	Pre-wired	512	300	387	9